

SAFETY ALERT

CGA 870 MEDICAL OXYGEN REGULATOR YOKE CONNECTION ISSUE

The Compressed Gas Association, Inc. (CGA) has received reports of certain medical gas regulator yokes available for purchase and use in the United States and Canada that do not meet CGA standards. Use of these non-conforming regulator yokes may result in these regulator yokes not achieving a proper connection and seal with oxygen cylinders that utilize certain CGA 870 pin-indexed valves that conform to applicable CGA standards.

Certain available regulator yokes designated CGA 870 and intended for use with CGA 870 medical oxygen valves are not configured in accordance with CGA V-1, *Standard for Compressed Gas Cylinder Valve Outlet and Inlet Connections* [1]. Specifically, the interior radius of the face of the non-conforming regulator yokes, where the regulator yoke connects and seals with the medical oxygen valve, uses a configuration that is greater in diameter than is specified in CGA V-1, thereby interfering with the corners of the valve body as shown in Illustration 1 below. See, in comparison, Illustration 2, which shows a regulator yoke with a configuration that complies with CGA 870.

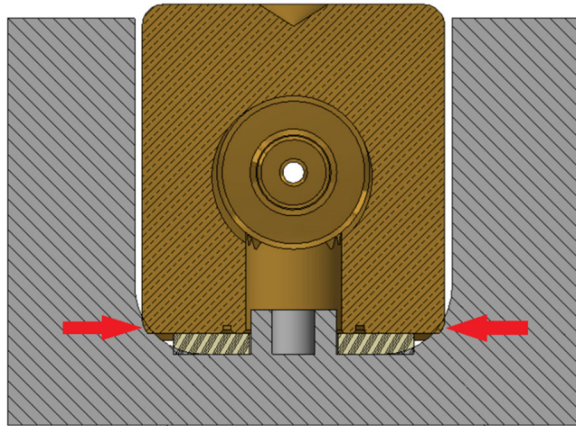


Illustration 1—Out of specification yoke with interference

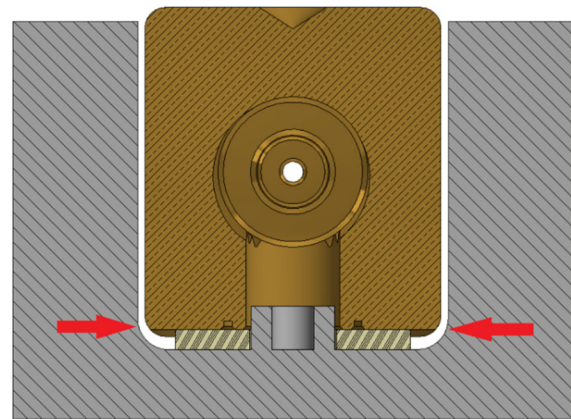


Illustration 2—In specification yoke with no interference

Interference resulting from the non-conforming regulator yoke may prevent a proper connection and seal with a CGA 870 valve outlet, resulting in a leak of oxygen. The leak of oxygen may present a potential risk of danger, such as the user not receiving a proper flow of oxygen, the potential for an oxygen-enriched atmosphere, and an associated potential for fire, serious personal injury, or death.

CGA encourages users of regulator yokes designated CGA 870 to inspect their regulator yokes and the interface with the CGA 870 medical oxygen valve for this condition. If the condition identified in this Safety Alert exists, immediately cease using the CGA 870 regulator yoke and contact your supplier for guidance.

A regulator yoke that is configured as specified in CGA V-1 should not require excessive force to connect and make a leak-free seal to the medical oxygen valve. Do not use excessive force to connect a regulator yoke to a CGA 870 medical oxygen valve. If a connection is achieved and an oxygen leak is detected, immediately shut off the oxygen cylinder valve. If excessive force is needed to connect the regulator yoke, or a leak is detected after connection, contact your supplier for guidance.

Reference

Unless otherwise stated, the latest edition shall apply.

[1] CGA V-1, *Standard for Compressed Gas Cylinder Valve Outlet and Inlet Connections*, Compressed Gas Association, Inc. www.cganet.com

PLEASE NOTE:

The information contained in this document was obtained from sources believed to be reliable and is based on technical information and experience currently available from members of the Compressed Gas Association, Inc. and others. However, the Association or its members, jointly or severally, make no guarantee of the results and assume no liability or responsibility in connection with the information or suggestions herein contained. Moreover, it should not be assumed that every acceptable commodity grade, test or safety procedure or method, precaution, equipment or device is contained within, or that abnormal or unusual circumstances may not warrant or suggest further requirements or additional procedure.

This document is subject to periodic review, and users are cautioned to obtain the latest edition. The Association invites comments and suggestions for consideration. In connection with such review, any such comments or suggestions will be fully reviewed by the Association after giving the party, upon request, a reasonable opportunity to be heard. Proposed changes may be submitted via the Internet at our web site, www.cganet.com.

This document should not be confused with federal, state, provincial, or municipal specifications or regulations; insurance requirements; or national safety codes. While the Association recommends reference to or use of this document by government agencies and others, this document is purely voluntary and not binding unless adopted by reference in regulations.

A listing of all publications, audiovisual programs, safety and technical bulletins, and safety posters is available via the Internet at our website at www.cganet.com. For more information contact CGA at Phone: 703-788-2700, ext. 799. E-mail: customerservice@cganet.com.

Cylinder Valve Committee

FIRST EDITION: 2021

© 2021 The Compressed Gas Association, Inc. All rights reserved. All materials contained in this work are protected by United States and international copyright laws. You may not alter or remove any trademark, copyright or other notice from this work.

CGA GRANTS PERMISSION TO REPRODUCE THIS SAFETY ALERT